






Q-TEK  
Solid Surface




5 YEARS  
GUARANTEE



Coating with excellent  
resistance to hydrolysis.




High coating  
UV resistant.



SUPERIOR HARDNES  
coating.



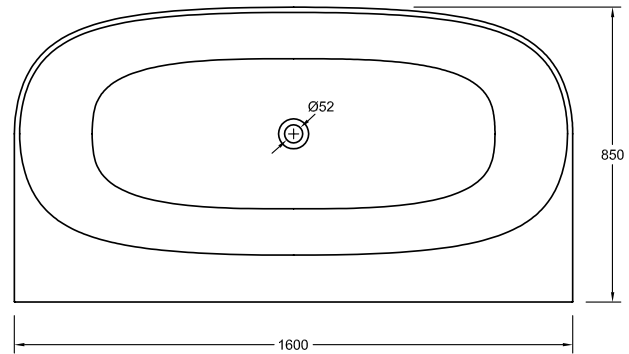
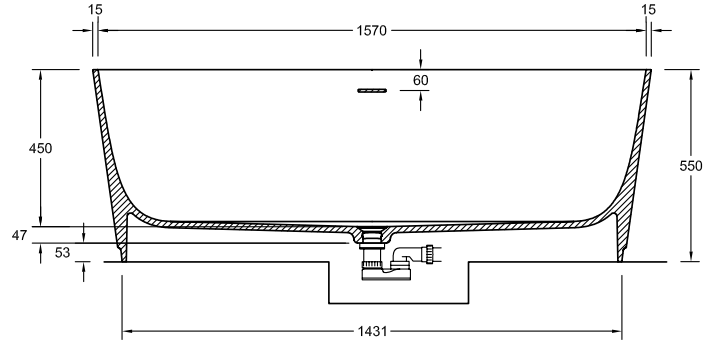
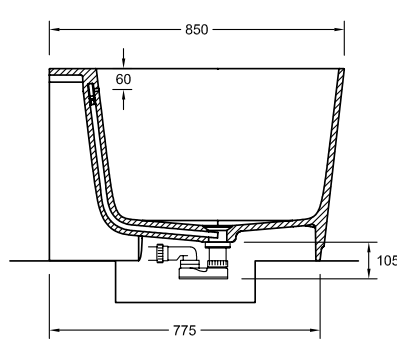
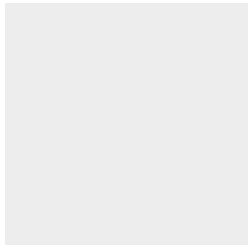
Antibacterial treatment  
R<2 ISO 22196.



Consult installation  
manual.

Technical specifications are subject to change without notice. Dimensional tolerances +/-5mm.

**LISO**  
1600x850



| TEXTURE | Kg | L   | mm       |
|---------|----|-----|----------|
| LISO    | 87 | 305 | 1600x850 |

COLOUR OPTIONS



SUPER WHITE

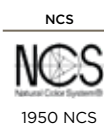


BI-COLOURED



SOLID COLOUR

STANDARD COLOURS



ACCESSORIES

CLIC-CLAC WASTE WITH PLUG MADE OF THE SAME MATERIAL AND COLOUR INCLUDED



INTEGRATED OVERFLOW INCLUDED