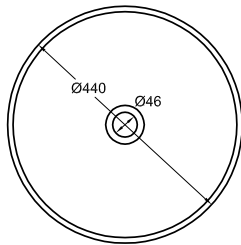
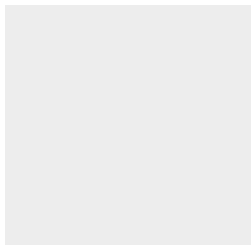




LISO
ø440 h870



Q-TEK
Solid Surface

5 YEARS
GUARANTEE

Coating with excellent
resistance to hydrolysis.

High coating
UV resistant.

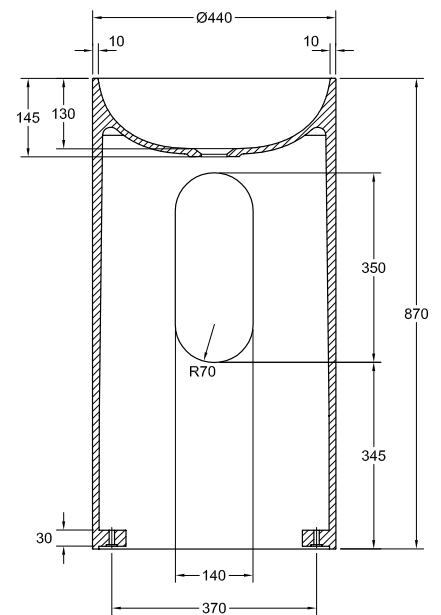
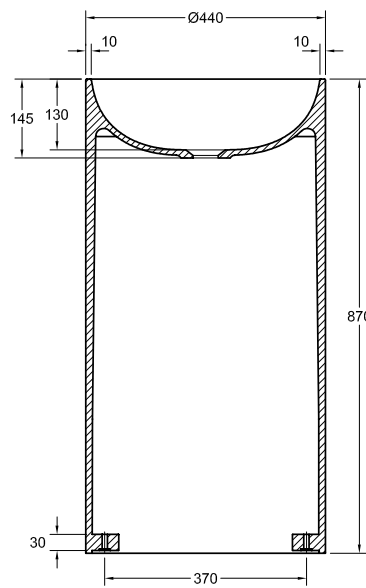
SUPERIOR HARDNES
coating.

Antibacterial treatment
R<2 ISO 22196.

Consult installation
manual.

Technical specifications are subject to change without notice. Dimensional tolerances +/-5mm.

FOR WALL INSTALLATION



SHAPE	TEXTURE	Kg	mm
FREESTANDING	LISO	33	ø440 h870
FOR WALL INSTALLATION	LISO	33	ø440 h870

COLOUR OPTIONS



SUPER WHITE



BI-COLOURED



SOLID COLOUR

STANDARD COLOURS



RAL



NCS



ACCESSORIES

CLIC-CLAC WASTE WITH PLUG MADE
OF THE SAME MATERIAL AND COLOUR

