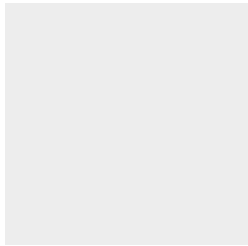




LISO
ø1200 h550





Q-TEK
Solid Surface



5
YEARS
GUARANTEE



Coating with excellent
resistance to hydrolysis.



High coating
UV resistant.



SUPERIOR HARDNES
coating.

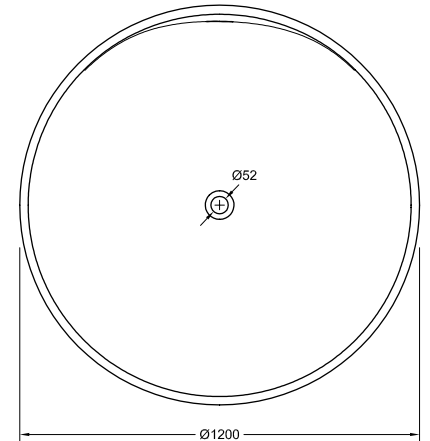
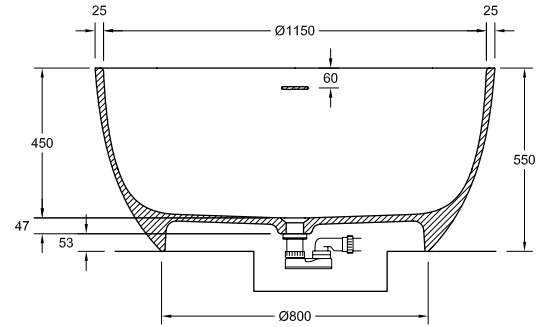
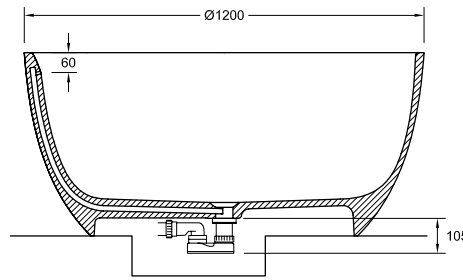


Antibacterial treatment
R<2 ISO 22196.



Consult installation
manual.

Technical specifications are subject to change without notice. Dimensional tolerances +/-5mm.



TEXTURE	Kg	L	mm
LISO	86	330	ø1200 h550

COLOUR OPTIONS



SUPER WHITE

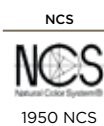


BI-COLOURED



SOLID COLOUR

STANDARD COLOURS



ACCESSORIES

CLIC-CLAC WASTE WITH PLUG MADE OF THE SAME MATERIAL AND COLOUR INCLUDED



INTEGRATED OVERFLOW INCLUDED