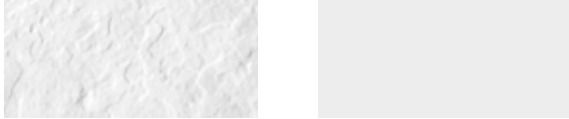


PIZARRA | LISO

A 560-2000 | B 400-600



Resin + Mineral fillers + Coating



Coating with excellent resistance to hydrolysis.



High coating UV resistant.



SUPERIOR HARDNESS coating (<0.01 mm according to UNE EN 14688; maximum allowed 0.1 mm).



Antibacterial treatment R<2 ISO 22196.

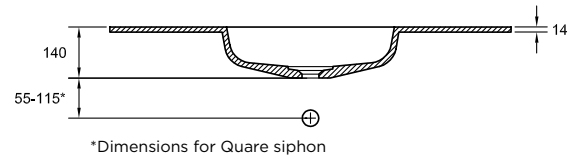
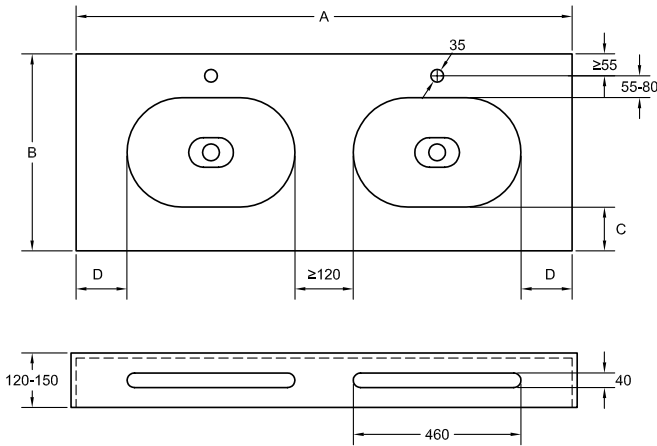


Special cuts available.

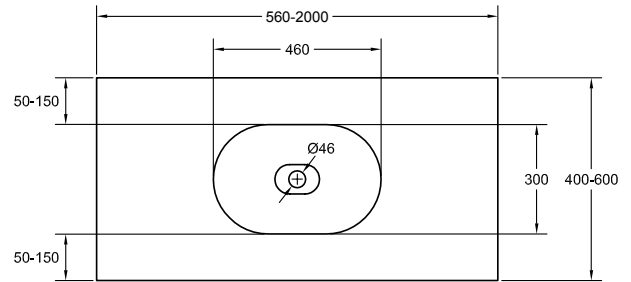


Consult installation manual.

Technical specifications are subject to change without notice. Dimensional tolerances +/-5mm.



*Dimensions for Quare siphon



mm	1 BASIN		2 BASINS		1 BASIN		2 BASINS	
	FOR FURNITURE				FOR WALL			
	No faucet hole	With faucet hole	No faucet hole	With faucet hole	No faucet hole	With faucet hole	No faucet hole	With faucet hole
A	560-2000	560-2000	1140-2000	1140-2000	600-2000	600-2000	1180-2000	1180-2000
B	400-600	460-600	400-600	460-600	400-600	460-600	400-600	460-600
C	50-150	≥50	50-150	≥ 50	50-150	≥ 50	50-150	≥ 50
D	≥50	≥50	≥50	≥50	≥70	≥70	≥70	≥70

Kgs. / ML	FOR FURNITURE	FOR WALL
1 BASIN	20	26
2 BASINS	22	28

STANDARD COLOURS



SPECIAL COLOURS



RAL



NCS



ACCESSORIES

CLIC-CLAC WASTE / FIXED + WASTE COVER



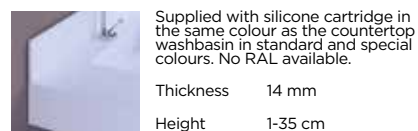
Siphons for countertop, washbasins and basins



Overflow



BACKSPLASH



TOWEL RACK



FAUCET HOLE AND OVERFLOW AVAILABLE ON REQUEST WITH NO EXTRA COST

WALL BRACKETS AND FIXINGS INCLUDED