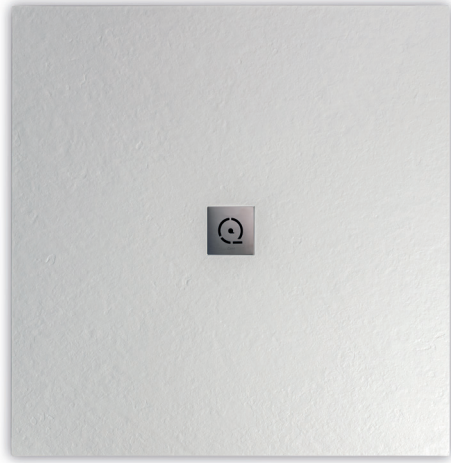
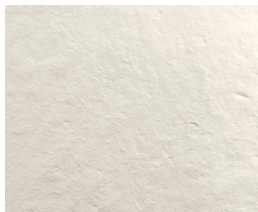
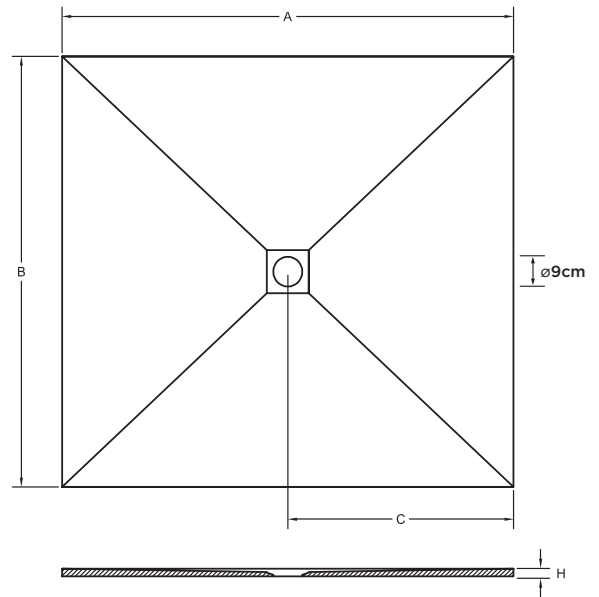


Relief Plus XL



45 kg/m²



SLATE
A 1001-1800 | B 1001-1300
Anti-slip Class C

		A (mm)							
		1100	1200	1300	1400	1500	1600	1700	1800
1100	C	550	600	650	700	750	800	850	900
	H	25	25	25	25	25	25	25	25
1200	C	550	600	650	700	750	800	850	900
	H	25	25	25	25	25	25	25	25
1300	C	550	600	650	700	750	800	850	900
	H	25	25	25	25	25	25	25	25

Technical characteristics may be modified without prior notice. Dimensional tolerances +/-5mm.

Standard Colours



Grid



Border Rim



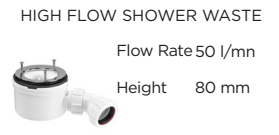
Special Colours



213 Colours RAL



Shower Waste



Guarantee 5 Years.



Quarex Material.
Resin + mineral fillers.



Cut to size.
It can be cut on site.



Installation: embedded (suitable for people with reduced mobility) or raised.
Please consult the installation manual.



Product available in Solid White, our uncoated Natural White.



High Coating UV resistance.



SUPERIOR HARDNESS coating (<0.01 mm, according to UNE EN 14688; maximum allowed 0.1 mm).



Coating with excellent resistance to hydrolysis.



Packaging in reinforced cardboard with wooden structure.



Anti-bacterial treatment R<2 ISO 22196.