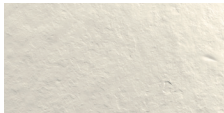
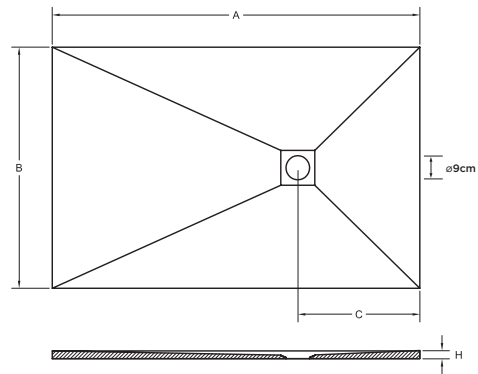


45 kg/m²



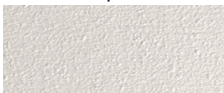
SLATE
A 700-2100 | B 700-1100
Anti-slip Class C

		A (mm)														
		700	800	900	1000	1100	1200	1300	1400	1500	1600	1700	1800	1900	2000	2100
B (mm)	700	C	455	455	455	455	465	465	460	460	460	650	650	650	650	650
	H	25	25	25	25	25	25	30	30	30	30	30	30	30	30	30
800	C	455	455	455	455	465	465	460	460	460	650	650	650	650	650	
	H	25	25	25	25	25	25	30	30	30	30	30	30	30	30	30
900	C	450	500	450	500	490	490	465	465	465	650	650	650	650	650	
	H	25	25	25	25	25	25	30	30	30	30	30	30	30	30	30
1000	C	450	500	450	500	490	490	465	465	465	650	650	650	650	650	
	H	25	25	25	25	25	25	30	30	30	30	30	30	30	30	30
1100	C	-	-	-	460	460	460	460	460	460	650	650	650	-	-	
	H	-	-	-	25	25	25	30	30	30	30	30	30	-	-	-



WOOD
A 700-2100 | B 700-1000
Anti-slip Class B

		A (mm)														
		700	800	900	1000	1100	1200	1300	1400	1500	1600	1700	1800	1900	2000	2100
B (mm)	700	C	455	455	455	455	455	465	465	465	650	650	650	650	650	
	H	25	25	25	25	25	25	30	30	30	30	30	30	30	30	30
800	C	455	455	455	455	455	455	465	465	465	650	650	650	650	650	
	H	25	25	25	25	25	25	30	30	30	30	30	30	30	30	30
900	C	455	455	455	455	455	490	465	465	465	650	650	650	650	650	
	H	25	25	25	25	25	25	30	30	30	30	30	30	30	30	30
1000	C	455	455	455	455	455	455	465	465	465	650	650	650	650	650	
	H	25	25	25	25	25	25	30	30	30	30	30	30	30	30	30



GRANITE
A 700-2100 | B 700-1000
Anti-slip Class C



CROCODILE
A 700-2100 | B 700-900
Anti-slip Class B

		A (mm)														
		700	800	900	1000	1100	1200	1300	1400	1500	1600	1700	1800	1900	2000	2100
B (mm)	700	C	455	455	455	455	455	465	465	465	650	650	650	650	650	
	H	25	25	25	25	25	25	30	30	30	30	30	30	30	30	30
800	C	455	455	455	455	455	455	465	465	465	650	650	650	650	650	
	H	25	25	25	25	25	25	30	30	30	30	30	30	30	30	30
900	C	455	455	455	455	455	455	465	465	465	650	650	650	650	650	
	H	25	25	25	25	25	25	30	30	30	30	30	30	30	30	30

Technical characteristics may be modified without prior notice. Dimensional tolerances +/-5mm.

Standard Colours



Grid



Border Rim



Always smooth edged.
40mm wide and 10mm thick.

Special Colours



213 Colours RAL



Shower Waste

EXTRA FLAT SHOWER WASTE	VERTICAL SHOWER WASTE	HIGH FLOW SHOWER WASTE
Flow Rate 35 l/mn	Flow Rate 35 l/mn	Flow Rate 50 l/mn
Height 54 mm	Height 96 mm	Height 80 mm
Price Included		



Guarantee 5 Years.



Quarex Material.
Resin + mineral fillers.



Cut to size.
It can be cut on site.



Installation: embedded (suitable for people with reduced mobility) or raised.
Please consult the installation manual.



Product available in Solid White, our uncoated Natural White.



High Coating UV resistance.



SUPERIOR HARDNESS coating (<0.01 mm, according to UNE EN 14688; maximum allowed 0.1 mm).



Coating with excellent resistance to hydrolysis.



Packaging in reinforced cardboard with wooden structure.



Anti-bacterial treatment R<2 ISO 22196.