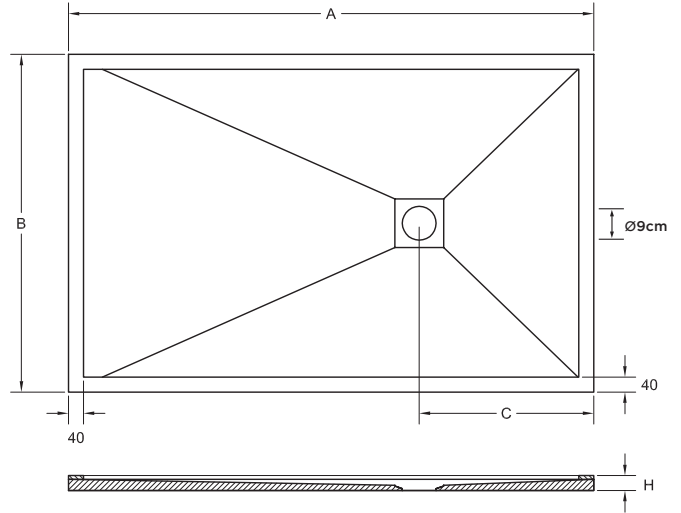


Relief Plus Rim



45 kg/m²



SLATE
A 700-2100 | B 700-1100
Anti-slip Class C

		A (mm)														
		700	800	900	1000	1100	1200	1300	1400	1500	1600	1700	1800	1900	2000	2100
B (mm)	700	C 455	455	455	455	465	465	460	460	460	650	650	650	650	650	650
	H	35	35	35	35	35	35	40	40	40	40	40	40	40	40	40
800	C	455	455	455	455	465	465	460	460	460	650	650	650	650	650	650
	H	35	25	35	35	35	35	40	40	40	40	40	40	40	40	40
900	C	450	450	450	500	490	490	465	465	465	650	650	650	650	650	650
	H	35	35	35	35	35	35	40	40	40	40	40	40	40	40	40
1000	C	500	500	500	500	490	490	465	465	465	650	650	650	650	650	650
	H	35	35	35	35	35	35	40	40	40	40	40	40	40	40	40
1100	C	-	-	-	460	460	460	460	460	460	450	650	650	-	-	-
	H	-	-	-	35	35	35	40	40	40	40	40	40	-	-	-

Technical characteristics may be modified without prior notice. Dimensional tolerances +/-5mm.

Standard Colours



Grid



Border Rim



Special Colours



213 Colours RAL



Shower Waste

EXTRA FLAT SHOWER WASTE



VERTICAL SHOWER WASTE



HIGH FLOW SHOWER WASTE



Guarantee 5 Years.



Quarex Material.
Resin + mineral fillers.



Cut to size.
It can be cut on site.



Installation: embedded (suitable for people with reduced mobility) or raised.
Please consult the installation manual.



Product available in Solid White, our uncoated Natural White.



High Coating UV resistance.



SUPERIOR HARDNESS coating (<0.01 mm, according to UNE EN 14688; maximum allowed 0.1 mm).



Coating with excellent resistance to hydrolysis.



Packaging in reinforced cardboard with wooden structure.



Anti-bacterial treatment R<2 ISO 22196.