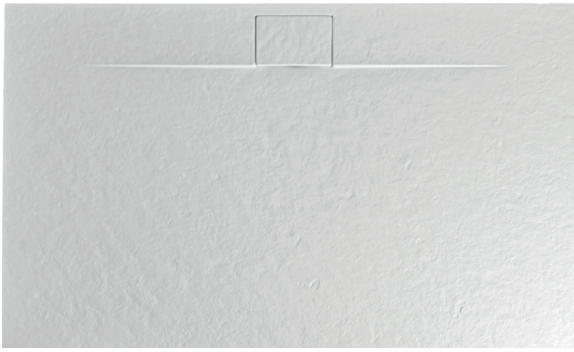
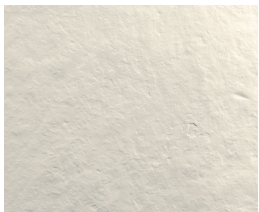
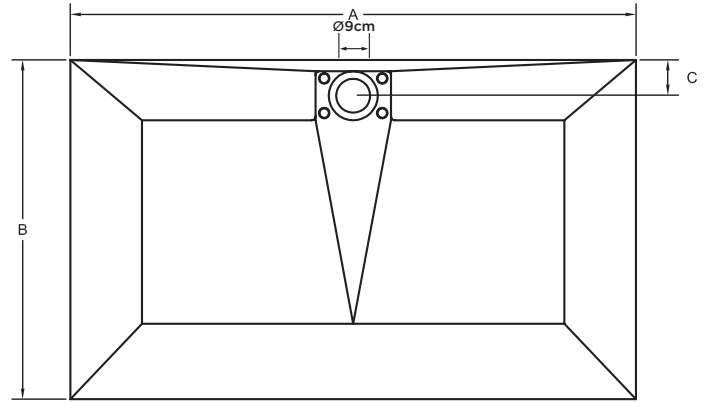


Radiance Lateral



47 kg/m²



SLATE
A 900-1800 | B 700-900
Anti-slip Class C

		A (mm)									
		900	1000	1100	1200	1300	1400	1500	1600	1700	1800
B (mm)	700	C	95	95	95	95	95	95	95	95	95
	H	25	25	25	25	25	25	25	25	25	25
800	C	95	95	95	95	95	95	95	95	95	95
	H	25	25	25	25	25	25	25	25	25	25
900	C	95	95	95	95	95	95	95	95	95	95
	H	25	25	25	25	25	25	25	25	25	25

Technical characteristics may be modified without prior notice. Dimensional tolerances +/-5mm.

Standard Colours



Grid



GRID IN THE SAME COLOUR AND TEXTURE AS TRAY

Border Rim



Always smooth edged.
40mm wide and 10mm thick.

Special Colours



213 Colours RAL



Shower Waste

EXTRA FLAT SHOWER WASTE



VERTICAL SHOWER WASTE



HIGH FLOW SHOWER WASTE



Guarantee 5 Years.



Quarex Material.
Resin + mineral fillers.



Cut to size.
It can be cut on site.



Installation: embedded (suitable for people with reduced mobility) or raised.
Please consult the installation manual.



Product available in Solid White, our uncoated Natural White.



High Coating UV resistance.



SUPERIOR HARDNESS coating (<0.01 mm, according to UNE EN 14688; maximum allowed 0.1 mm).



Coating with excellent resistance to hydrolysis.



Packaging in reinforced cardboard with wooden structure.



Anti-bacterial treatment R<2 ISO 22196.