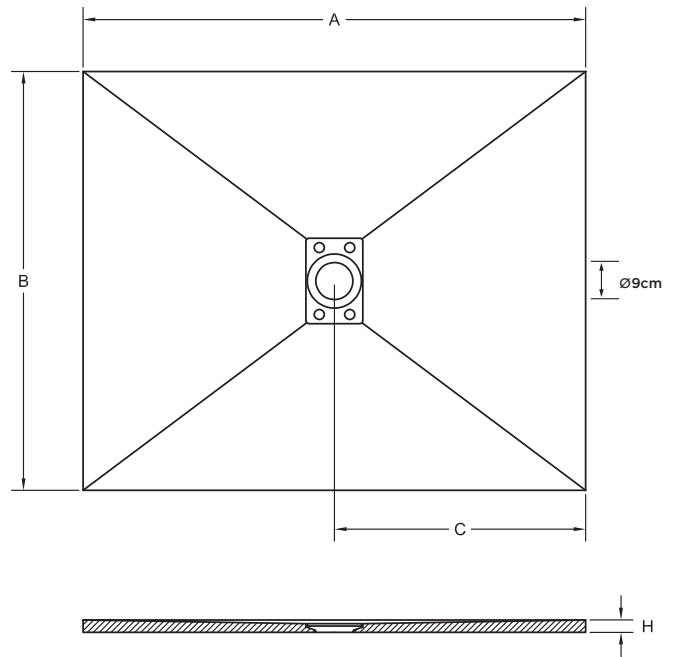


Mondrian



47 kg/m²



COMPOSITION
A 900-1800 | B 800-1000
Anti-slip Class B

		A (mm)									
		900	1000	1100	1200	1300	1400	1500	1600	1700	1800
B (mm)	800	C 450	500	550	600	650	700	750	800	850	900
	H	30	30	30	30	33	33	33	35	35	35
900	C	450	500	550	600	650	700	750	800	850	900
	H	30	30	30	30	33	33	33	35	35	35
1000	C	450	500	550	600	650	700	750	800	850	900
	H	30	30	30	30	33	33	33	35	35	35

Technical characteristics may be modified without prior notice. Dimensional tolerances +/-5mm.

Standard Colours



Grid



GRID IN THE SAME COLOUR AND TEXTURE AS TRAY
Price Included

Border Rim



Always smooth edged.
40mm wide and 10mm thick.

Special Colours



213 Colours RAL



Shower Waste

EXTRA FLAT SHOWER WASTE



VERTICAL SHOWER WASTE



HIGH FLOW SHOWER WASTE



Guarantee 5 Years.



Quarex Material.
Resin + mineral fillers.



Cut to size.
It can be cut on site.



Installation: embedded (suitable for people with reduced mobility) or raised.
Please consult the installation manual.



High Coating UV resistance.



SUPERIOR HARDNESS coating (<0.01 mm, according to UNE EN 14688; maximum allowed 0.1 mm).



Coating with excellent resistance to hydrolysis.



Packaging in reinforced cardboard with wooden structure.



Anti-bacterial treatment R<2 ISO 22196.