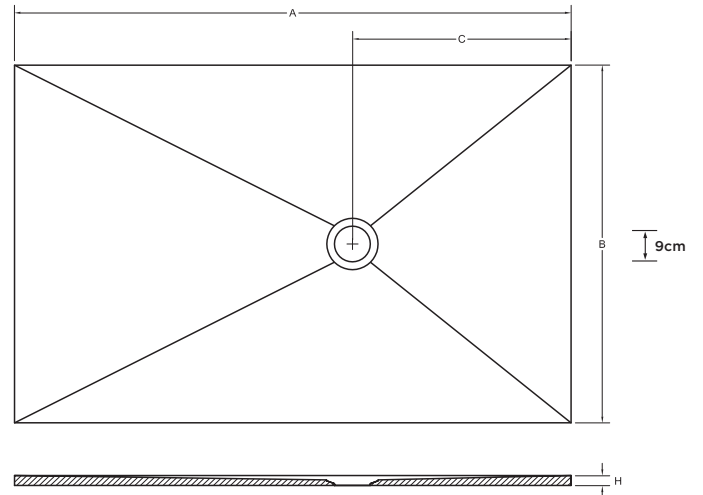




45 kg/m²

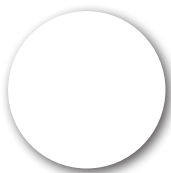
MAGMA
Anti-slip Class C



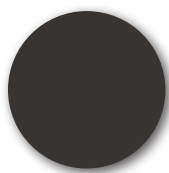
		A (mm)					
		900	1200	1400	1600	1800	
B (mm)	800	C -	465	-	-	-	
		H -	25	-	-	-	
	900	C	450	490	550	750	800
		H	25	25	25	25	27

Technical characteristics may be modified without prior notice. Dimensional tolerances +/-5mm.

Colours



PURE WHITE



ANTHRACITE

Grid



STAINLESS STEEL GRID
Price Included

Shower Waste



EXTRA FLAT SHOWER WASTE

Flow Rate 35 l/mn
Height 54 mm
Price Included



Guarantee 5 Years.



Quarex Material.
Resin + mineral fillers.



Cut to size.
It can be cut on site.



Installation: embedded (suitable for people with reduced mobility) or raised.
Please consult the installation manual.



High Coating UV resistance.



SUPERIOR HARDNESS coating (<0.01 mm, according to UNE EN 14688; maximum allowed 0.1 mm).



Coating with excellent resistance to hydrolysis.



Packaging in reinforced cardboard with wooden structure.



Anti-bacterial treatment R<2 ISO 22196.